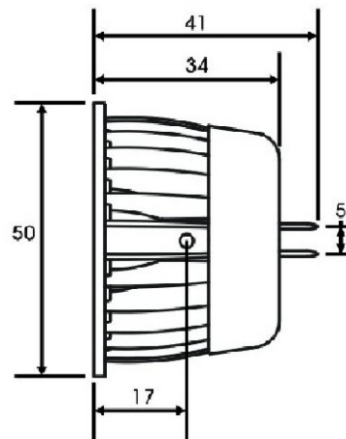


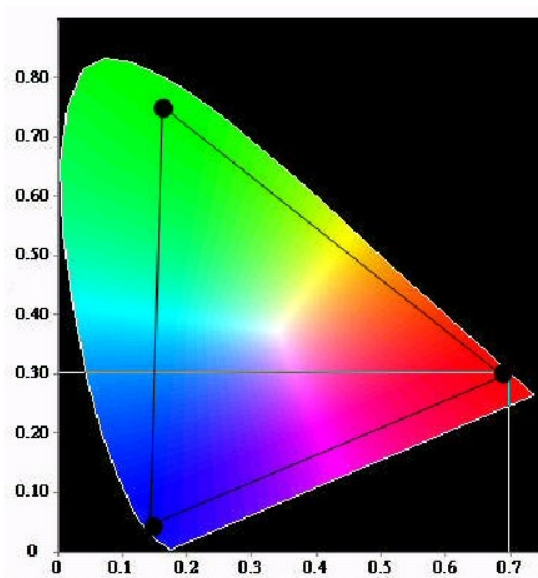
Single Colour LED

These high output LED lamps fit perfectly into Hunza MR16 luminaires. In a situation where heat is a concern, this light source option has the advantage of an extremely low running temperature with associated power consumption and long-life.



The Tristar MR16WHT-W is a MR16 shaped LED lamp suitable for installation in all Hunza MR16 fixtures, with the exception of the Lawn Lite and Driveway Lite models.

The lamp provides either a Cool White, Warm White, or Blue single colour output. Multiple units can be powered by our standard low voltage (12volt AC) lighting transformer.



Specifications

Input Voltage	10 ~ 17 VDC/VAC
Input Frequency	DC 47-63 Hz, 20-40Khz
Input Current	<600mA
LED Power	5watts
Colour Temperature	3400°K
UV or IR Radiation	None
Operating Hours	>20,000 hours
View Angle	60°
Output	80 Lumens

Exclusive European Importers for Hunza Productions Ltd of New Zealand

Light Ideas International Ltd. Suite 3, Faraday House, King William Street, Amblecote, Stourbridge, West Midlands, England DY8 4HD

Website: www.lightideas.co.uk Email: info@lightideas.co.uk
 Telephone: + 44 (0) 1384 377378 Fax: + 44 (0) 1384 377387
 Registration No. 3945883 Registered Office as above

