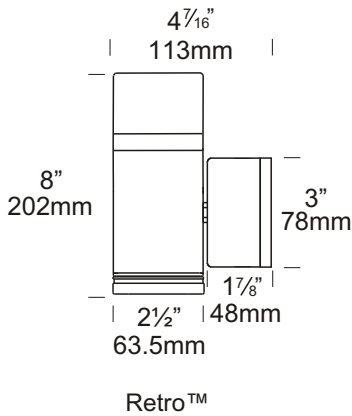
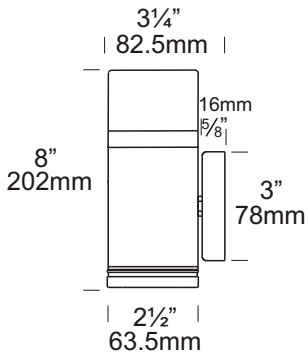


# Pillar Pagoda Lite

Cat. No. PILPGL  
Cat. No. PILPGL/R



The Pillar Pagoda Lite has a G4 and a MR16 lamp. The G4 lamp can be used to produce a general lighting effect, while the MR16 may be used for uplighting or downlighting.

The Retro™ is a 110/240-12 ac mains option suited to an installation where mounting a transformer is a problem, e.g. a brick wall where there is only the cable protruding out of the wall and it is not an option to recess the transformer or when replacing an existing light fitting. The base size increases in size to accommodate the encapsulated IP66 dimmable transformer.

This luminaire is machined from a choice of 10mm thick aluminium with a UV stable powder coated finish, solid copper or 316 stainless steel.

## Ordering Information

Luminaire Type	Material/Finish	Accessories
PILPGL - Pillar Pagoda Lite	BK - Black BZ - Bronze GN - Green STAR - Silver Star WH - White COP - Copper SS - 316 Stainless Steel	CJK150 - Cable Joint Kit LENSBOLOP - Opaque Lens LENSBOLF - Frosted Pagoda Lens LENSSTEPF - Frosted Pillar Lens /R - Retro Transformer 110/240-12 volt GG - Glare Guard HCL - Hex Cell Louvre Adaptor WBAP - Wall Box AdaptorPlate For an alternative LED option start at page 10.4

Ordering Example: PILPGL SS - Pillar Pagoda Lite in 316 Stainless Steel

WBAP BZ - Wall Box Adaptor Plate in Bronze (Accessories ordered separately)

**HUNZA**™ PURE OUTDOOR LIGHTING

**HUNZA FACTORY**  
130 Felton Mathew Ave  
Glen Innes  
Auckland 1072  
New Zealand

Ph: 64-9-528 9471  
Fax: 64-9-528 9361  
hunza@hunza.co.nz  
www.hunza.co.nz

**INTERNATIONAL CONTACTS:**  
www.hunza.co.nz/contacts.php

Specifications may change without notice.  
Manufactured in New Zealand.

© 2009 Hunza Holdings Ltd.

Ver 1.4

## Luminaire Construction

CNC machined from one of the following metals:

**Body:** High corrosion resistant low copper 63.5mm (2½") x 10mm (25/64") aluminium.

**Base & Mounting Plate:** Cast from virgin high corrosion resistant CC401 low copper aluminium alloy chromate substrate and high UV resistant polyester powder coat - Black, Bronze, Green, Silver Star, White.

**Copper:** Body 63.5mm (2½") x 10mm (25/64).

**Base:** Hand spun Copper 2mm (5/64").

**Mounting Plate:** Forged brass (Retro™)

**316 Stainless Steel:** Body 63.5mm (2½") x 9mm (11/32) rod.

**Base:** Investment cast and CNC machined.

**Mounting Plate:** Investment cast and CNC machined (Retro™).

## Mounting

12 volt: the luminaire is mounted to the wall using two 316 stainless screws through a shallow base 16mm (5/8") in depth. A Wall Box Adaptor Plate is available as an accessory to fit 3.0 and 4.0 junction boxes for USA/Canada.

Retro™ luminaire (110/240-12 volt): a mounting plate is fixed to the wall using two screws and the luminaire is fitted to the mounting plate.

## Features

### Lens:

UV stable clear polycarbonate with stainless anti-glare mesh.

10mm (3/8") thick clear 'flush fit' shatter resistant glass. Life Time Warranty.

### Gaskets:

Silicone, iron impregnated 220°C (428°F).

### Lamp Holders:

G4, GU5.3 - 350°C (662°F) ceramic multi contact lamp holder with 250°C (480°F) teflon cables.

### Accessories:

Cable Joint Kit (Cat. CJK150).

Not approved for USA/Canada.

Retro™ Transformer 110/240-12 volt (Cat. /R).

Wall Box Adaptor Plate USA/Canada (Cat. WBAP 12 volt luminaire).

Opaque Lens (Cat. LENSBOLOP).


Frosted Pagoda Lens (Cat. LENSBOLF)

Frosted Pillar Lens (Cat. LENSSTEPF).

Glare Guard (Cat. GG).

Hex Cell Louvre Adaptor (Cat. HCL).

## Standards

IP66 AS/NZS61046  UL1838

### Luminaire Weight

12 volt

Alum .860kg (1lb 14oz)

Cop 1.900kg (4lb 3oz)

SS 1.800kg (3lb 15oz)

Retro™

Alum 1.200kg (2lb 10oz)

Cop 2.200kg (4lb 13oz)

SS 2.100kg (4lb 10oz)

### Power Supply

12 volt

HUNZA™ Inground or HUNZA™ Wall Mount Transformer: not included.

### USA and Canada:

HUNZA™ Wall Mount Transformer: not included.

RETRO™

HUNZA™ 110/240-12 volt ac silicone encapsulated electronic transformer built into the Retro base. Dimmable with a suitable dimmer.

### Luminaire: supplied with

G4 Bi-Pin 5, 10, 20 watt lamp max.

MR16 GU5.3 20 watt lamps max.

**LED** - Refer sheet no. 10.4

USA and Canada:

G4 Bi-Pin 5, 10, 20 watt lamp max.

MR16 GU5.3 20 watt lamps max.

**LED** - Refer sheet no. 10.4

**HUNZA**™ PURE  
OUTDOOR  
LIGHTING

**HUNZA FACTORY**  
130 Felton Mathew Ave  
Glen Innes  
Auckland 1072  
New Zealand

Ph: 64-9-528 9471  
Fax: 64-9-528 9361  
hunza@hunza.co.nz  
www.hunza.co.nz

**INTERNATIONAL CONTACTS:**  
www.hunza.co.nz/contacts.php

Specifications may change without notice.  
Manufactured in New Zealand.

© 2009 Hunza Holdings Ltd.

Ver 1.4